



FENG SHUI LIGHTING

decorative architectural

# EQUATIONS • Recessed Sconce

## Recessed Sconce Square and Rectangular Wall Luminaires Metal Frame and Stand-Offs Equations Textured Glass Panel

The Equations Recessed Sconce series is a wall luminaire with a textured architectural glass diffuser. The recessed sconce uses machined aluminium standoffs to anchor the diffuser to the fixture. This design results in a depth of 1" from the wall creating a clean look with an absolute minimal protrusion from the vertical plane. The sconces are available with either natural aluminum or powder coated hardware finishes. Fixtures are available to hold the diffuser panel in three different sizes. Various compact fluorescent lighting options are available. Consult factory for custom options.

The Equations Surface Sconce features 6 standard textured glass diffuser panel options. Equations Textured Glass fixtures include a Milk White Acrylic panel to stack in back of the decorative glass to diffuse the light source.

The Equations sconce is offered as an 18W, 24W, or 36W BIAX Compact Fluorescent fixture. The compact fluorescent option includes an integral ballast. Emergency ballast (EM) option available upon request.



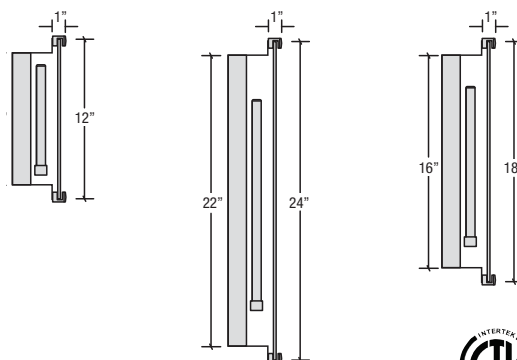
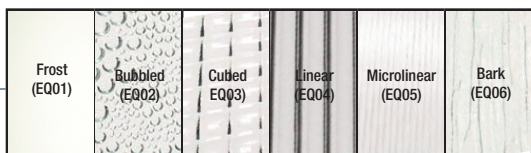
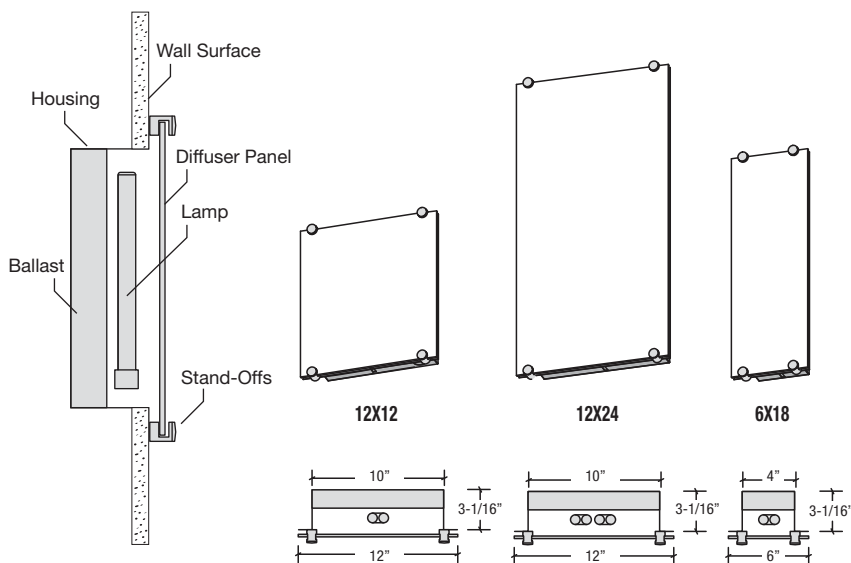
LED Light Source Available.  
Consult Factory for Details.



EQRF-EQ02-12x12-1-STD-120-AL



EQRF-EQ01-6X18-1-STD-120-AL



Style	Panel Name	Size / Lamp Type	Lamp Qty.	Lamp / Ballast	Voltage	Metal Finish
EQRF = Equations Recessed Flat Panel Sconce	See table above for panel options Example: "EQ01" or "EQ04"	6X18 = *6" x 18" / FL24 24W PL-L BIAX 12X12 = *12" x 12" / FL18 18W PL-L BIAX 12X24 = *12" x 24" / FL36 36W PL-L BIAX * See diagrams for exact dimensions	1 = One Lamp 2 = Two Lamps  6X18 Fixture is one lamp only.	STD = Electronic Non-Dimming MK10 = Dimming - Advance Mark 24 or 56w only EC010 = Dimming - Lutron ECO10 36w only SE5 = Lutron compact SE 36w only  12X12 not dimmable	120 = 120 volts 277 = 277 volts 347 = 347 volts  347V not available for dimming	AL = Natural Ultimatte Aluminum (standard) RAL = Powder Coat - Specify RAL# or Tiger Drylac#