



FENG SHUI LIGHTING

decorative architectural

FLORA • Recessed Sconce

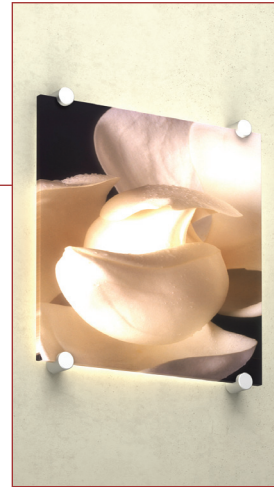
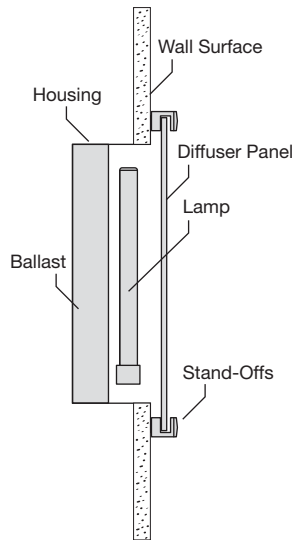
Recessed Sconce Square and Rectangular Wall Luminaires Metal Frame and Stand-Offs Flora Panel

The Flora Recessed Sconce series is a recessed wall luminaire with a decorative translucent diffuser that uses machined aluminium standoffs to anchor the diffuser to the fixture. The sconces are available in natural aluminium or powder coated hardware finishes. Fixtures are available to hold the decorative diffuser panel in three different sizes. Various compact fluorescent lamping options are available. Consult factory for custom options.

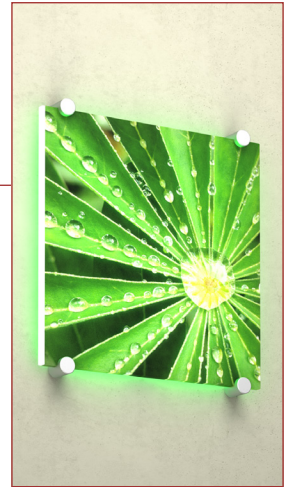
Flora Surface Sconce is part of Feng Shui Lighting's Flora System and features original flowering plant photography by acclaimed photographer Ron Greenberg. FSL tattoos the photograph onto an inner layer and then laminates it in between sheets of polished glass. The results are images of flora captured at a moment in time and illuminated to be appreciated over time.

Flora offers six distinct photographic panel choices.

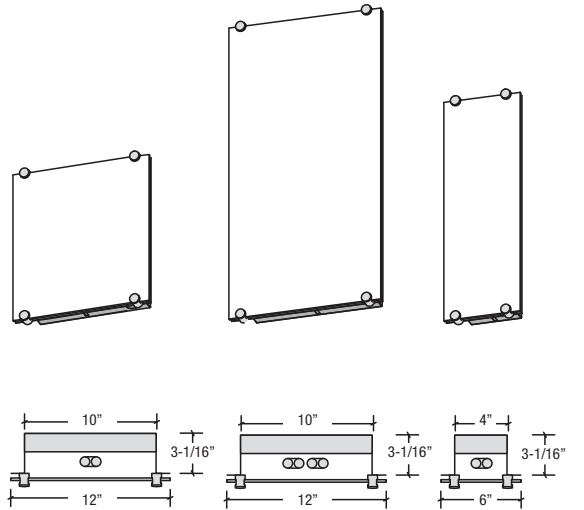
The sconce is offered as an 18W, 24W, or 36W BIAx Compact Fluorescent fixture. The compact fluorescent option includes an integral ballast. Emergency ballast (EM) option available upon request.



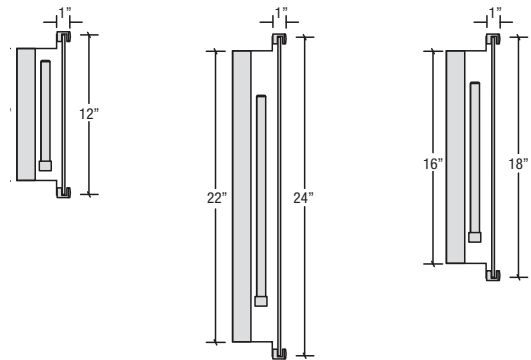
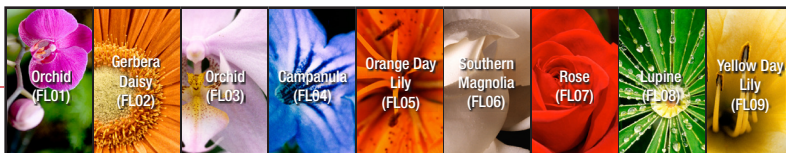
FLRF-FL07-12X12-1-STD-120-AL



FLRF-FL08-12X12-1-STD-120-AL



LED Light Source Available.
Consult Factory for Details.



Style	Panel Name	Size / Lamp Type	Lamp Qty.	Lamp / Ballast	Voltage	Metal Finish
FLRF = Flora Recessed Flat Panel Sconce	See table above for panel options Example: "FL01" or "FL04"	6X18 = 6" x 18" / FL24 24W PL-L BIAx 12X12 = 12" x 12" / FL18 18W PL-L BIAx 12X24 = 12" x 24" / FL36 36W PL-L BIAx	1 = One Lamp 2 = Two Lamps 6X18 Fixture is one lamp only.	STD = Electronic Non-Dimming MK10 = Dimming - Advance Mark 24 or 56w only ECO10 = Dimming - Lutron ECO10 36w only SE5 = Lutron compact SE 36w only 12X12 not dimmable	120 = 120 volts 277 = 277 volts 347 = 347 volts 347V not available for dimming	AL = Natural Ultimate Aluminum (standard) RAL = Powder Coat - Specify RAL# or Tiger Drylac#