



# Recessed Sconce

## Square and Rectangular Wall Luminaires

### Metal Frame and Stand-Offs

### Plates Paper-In-Glass Panel

The PLATES RECESSED Collection uses a recessed housing, combined with a flat paper-in-glass panel. This design results in a depth of 1" from the wall creating a clean look with an absolute minimal protrusion from the vertical plane.

Handmade paper is encased within laminated glass to create the glass panel. The organic nature of the paper produces this nature-inspired illumination.

The sconces are available with either natural aluminum or powder coated hardware finishes. Fixtures are available to hold the paper-in-glass panel in three different sizes. Various compact fluorescent lamping options are available. Consult factory for custom options.

FSL offers 10 standard types of Plates panels.

The PLATES sconce is offered as an 18W, 24W, or 36W BIAX Compact Fluorescent fixture. The compact fluorescent option includes an integral ballast. Emergency ballast (EM) option available upon request.



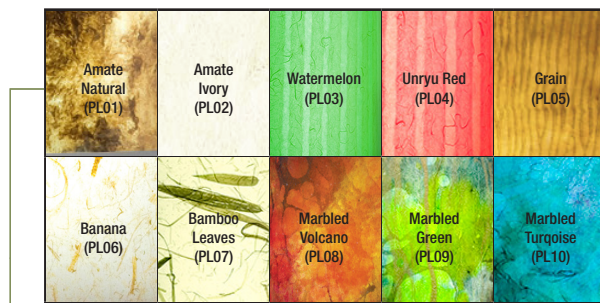
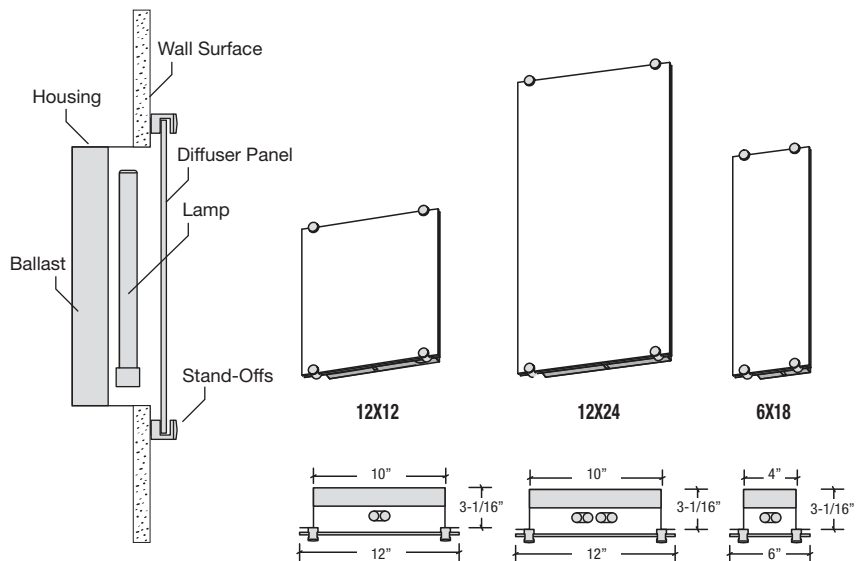
LED Light Source Available. Consult Factory for Details.



PLRF-PL08-12x12-1-STD-120-AL



PLRF-PL09-6X18-1-STD-120-AL



Style	Panel Name	Size / Lamp Type	Lamp Qty.	Lamp / Ballast	Voltage	Metal Finish
PLRF = Plates Recessed Flat Panel Sconce	See table above for panel options Example: "PL01" or "PL04"	6X18 = 6" x 18" / FL24 24W PL-L BIAX 12X12 = 12" x 12" / FL18 18W PL-L BIAX 12X24 = 12" x 24" / FL36 36W PL-L BIAX	1 = One Lamp 2 = Two Lamps  6X18 Fixture is one lamp only.	STD = Electronic Non-Dimming MK10 = Dimming - Advance Mark 24 or 56w only ECO10 = Dimming - Lutron ECO10 36w only SE5 = Lutron compact SE 36w only  12X12 not dimmable	120 = 120 volts 277 = 277 volts 347 = 347 volts  347V not available for dimming	AL = Natural Ultimate Aluminum (standard) RAL = Powder Coat - Specify RAL# or Tiger Drylac#

