



BACKLIGHTING

CHAINS



- Available in assorted white color temperatures
- Illuminate any shape
- Low energy consumption
- IP68 rated
- Economical backlighting solution
- Easy to install
- Available in two sizes
  - Classic and Mini



STYLE:

COLOR:

VOLTAGE:

DIMMING/CONTROLS:

CHNS

-

-

-

-

CL = Classic  
MN = Mini

30K = 3000 Kelvin  
40K = 4000 Kelvin  
50K = 5000 Kelvin  
65K = 6500 Kelvin

120 = 120 Volts  
277 = 277 Volts

ND = Non-Dimmable  
010 = 0-10V Dimming  
DMX = DMX Dimming (DMX Signal/Input by others)





# CHAINS

Classic

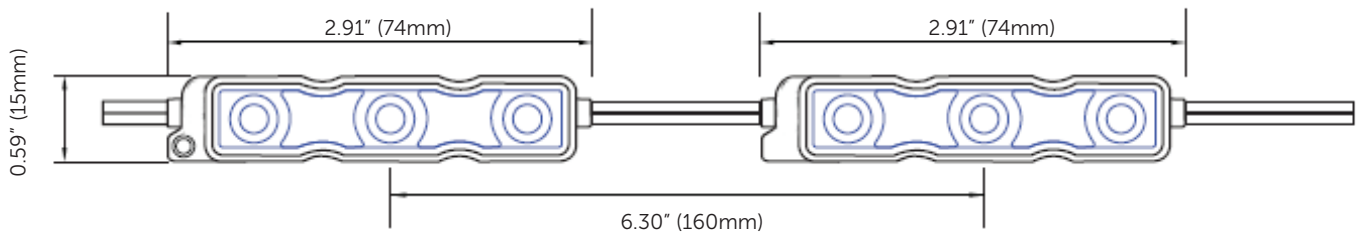
## SPECIFICATIONS

### ELECTRICAL

Input Voltage	12VDC
Power Consumption	1.8 W/ft
Brightness	222 lm/ft
LED Bulbs per Foot	6 (2 chain modules per foot)

### PHYSICAL

Color Temperature	3000K, 4000K, 5000K, 6500K
Environment	Dry, Damp, and Wet locations
IP Rating	IP68 ("Dust Tight" and protected against immersion of water beyond 1M)
Operating Temperature	-22°F ~ 158°F



**\*3 bulbs/module, 2 modules/foot**



# CHAINS

Mini

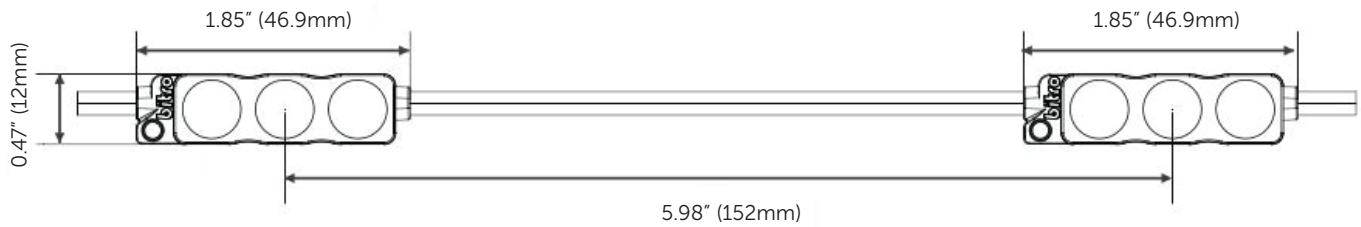
## SPECIFICATIONS

### ELECTRICAL

Input Voltage	12VDC
Power Consumption	1.8 W/ft
Brightness	222 lm/ft
LED Bulbs per Foot	6 (2 chain modules per foot)

### PHYSICAL

Color Temperature	3000K, 4000K, 5000K, 6500K
Environment	Dry, Damp, and Wet locations
IP Rating	IP68 ("Dust Tight" and protected against immersion of water beyond 1M)
Operating Temperature	-22°F ~ 158°F



**\*3 bulbs/module, 2 modules/foot**

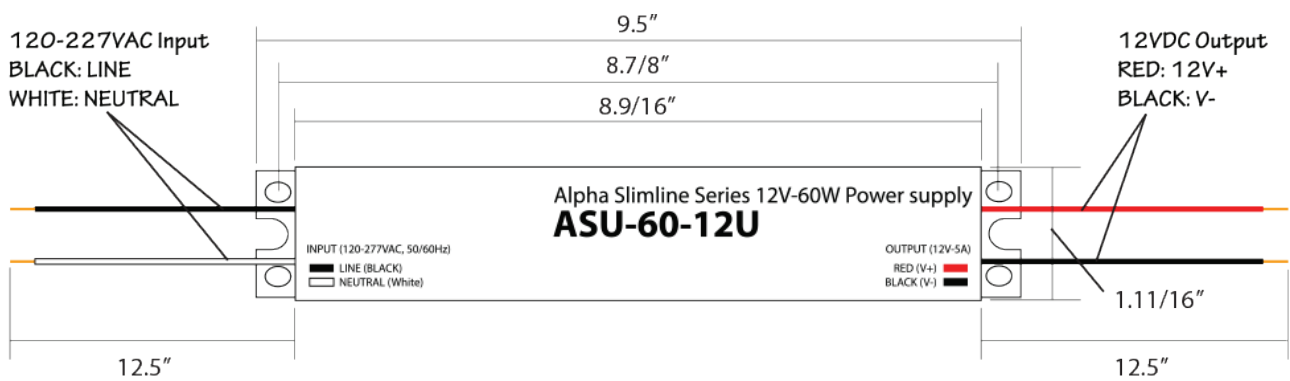


# ALPHA SLIMLINE

## 12V-60W Class 2 Power Supply



- Single channel 96W, 24V DC Output, Class 2 UL
- 120-277VAC 50/60HZ True Universal Input
- Compact and Slim Design to fit in raceways and cabinets
- Pig-tail to Pig-tail leads
- Dry and damp listed
- Full load at 60°C (140°F)
- Over-Current, Short Circuit, Over Voltage Protection Features
- Made in North America
- UL & CSA Recognized under Sign Accessories
- 5-year Warranty



### SPECIFICATIONS

#### ELECTRICAL

Input Voltage	120 ~ 277 VAC
Input Current, Max (A)	0.58A/120V 0.26A/277V
Input Frequency (Hz)	50-60Hz
Efficiency	>85%
Output Voltage (V)	12VDC +/- 10%
Output Current Range (A)	5.0 Amps Max
Output Power Max (W)	60 Watts
Protection	Over voltage, Over current, and Short circuit
EMI and RFI	Meets FCC Part 15 (Class A)
Load Regulation	+/-5%
Operating Temperature	-22°F ~ 140°F
Storage Temperature	-40°F ~ 185°F

#### ENCLOSURE DIMENSIONS

Length	9.50" (241.3mm)
Width	1.70" (43.2mm)
Height	1.18" (30.0mm)
Mounting Length	8.89" (225.8mm)
Weight	1.7 lbs

#### LEAD LENGTHS

Input Leads (Black White)	12.5" (317.5mm) 18 AWG, Solid, 105°/660V
Output Leads (Red, Black)	12.5" (317.5mm) 18 AWG, Solid, 105°/660V

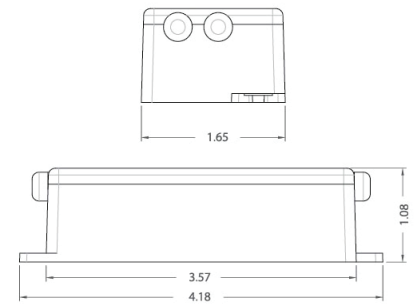
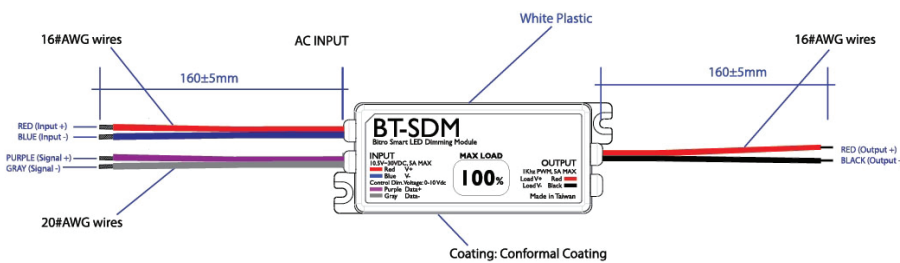


# BT-SDM

## 0-10 Smart Dimming Module



- Controls brightness of constant voltage LED modules
- Must be used with 0-10V Dimmer Controls
- Extremely Efficient (99%)
- Allows smooth and wide dimming range
- Works with off-the-shelf items such as Lutron DivaR 0-10V dimmer control
- Housed in weather-proof case for dry, damp, and wet locations
- 5-year warranty



unit : inches

### SPECIFICATIONS

#### ELECTRICAL

Input Voltage Range	10.5V ~ 30V DC input
Input/Output Switch Current	5 A max
Control Voltage	0-10VDC control
DC Output Voltage	10.5V ~ 30V DC
Dimming Range	0-100%
Rated Poer	150W
Efficiency (Typ.)	99%
Protection	Over temperature, external LED temperature regulation input with optional temperature sensor module
Working Temperature	-20°C ~ 80°C ambient at full load
Working Humidity	0-100%, non-condensing
Storage Temp., Humidity	-40°C ~ 85°C, 0-95%RH
Safety Standards	design to meet UL requirements
MTBF	>500K hours, MIL-HDBK217E at 25°C ambient
Dimensions	4.18"L (106mm) x 1.65"W (42mm) x 1.08"H (28mm)
Wire Size	Input: 18 AWG standard, 6 inches Control & Output: 22 AWG standard, 6 inches

