



BACKLIGHTING

CHAINS



- Available in assorted white color temperatures
- Illuminate any shape
- Low energy consumption high lumen output
- IP67 rated,
- 24v Output to allow more chains per power supply.
- Economical backlighting solution
- Easy to install



LUMENS:

COLOR:

DIMMING:

CHNS - - -

Low = 178 lm/ft
 Med = 268 lm/ft
 High = 352 lm/ft

30K = 3000 Kelvin
 50K = 5000 Kelvin
 65K = 6500 Kelvin

ND = Non-Dimmable
 010 = 0-10V Dimming

*Consult factory for additional Kelvin Temps





CHAINS

Low Output

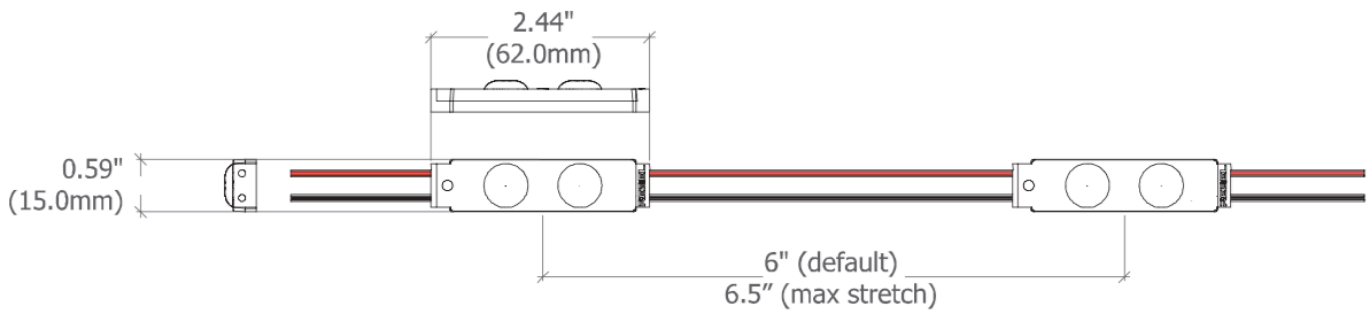
SPECIFICATIONS

ELECTRICAL

| | |
|--------------------|------------------------------|
| Input Voltage | 24v |
| Power Consumption | 1.2 W/ft |
| Brightness | 178 lm/ft |
| LED Bulbs per Foot | 4 (2 chain modules per foot) |

PHYSICAL

| | |
|-----------------------|------------------------------|
| Color Temperature | 3000K, 5000K, 6500K |
| Environment | Dry, Damp, and Wet locations |
| IP Rating | IP67 |
| Operating Temperature | -22°F ~ 158°F |



2- Bulb, Small Body, 2 Modules per foot



CHAINS

Medium Output

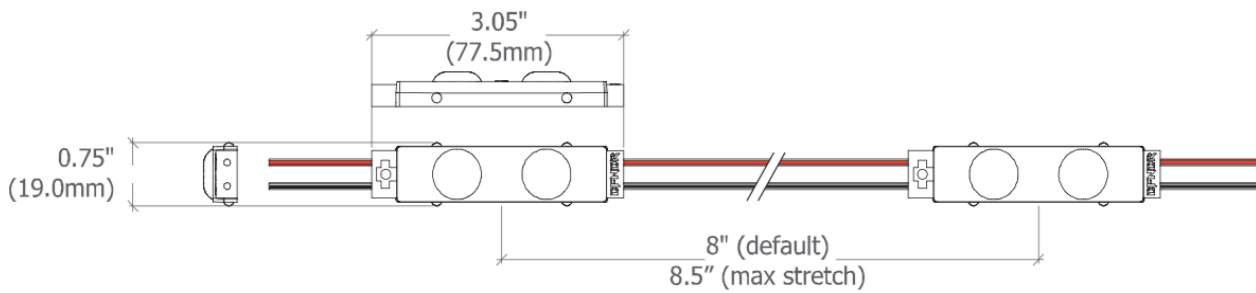
SPECIFICATIONS

ELECTRICAL

| | |
|--------------------|------------------------------|
| Input Voltage | 24v |
| Power Consumption | 1.8 W/ft |
| Brightness | 268 lm/ft |
| LED Bulbs per Foot | 6 (2 chain modules per foot) |

PHYSICAL

| | |
|-----------------------|------------------------------|
| Color Temperature | 3000K, 5000K, 6500K |
| Environment | Dry, Damp, and Wet locations |
| IP Rating | IP67 |
| Operating Temperature | -22°F ~ 158°F |



2- Bulb, Medium Body, 1.5 Modules per foot



CHAINS

High Output

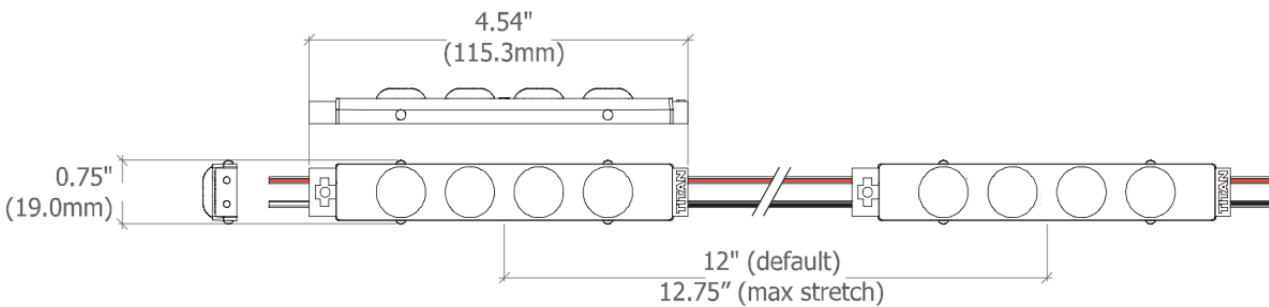
SPECIFICATIONS

ELECTRICAL

| | |
|--------------------|------------------------------|
| Input Voltage | 12VDC |
| Power Consumption | 2.4 W/ft |
| Brightness | 352 lm/ft |
| LED Bulbs per Foot | 4 (1 chain modules per foot) |

PHYSICAL

| | |
|-----------------------|------------------------------|
| Color Temperature | 3000K, 5000K, 6500K |
| Environment | Dry, Damp, and Wet locations |
| IP Rating | IP67 |
| Operating Temperature | -22°F ~ 158°F |



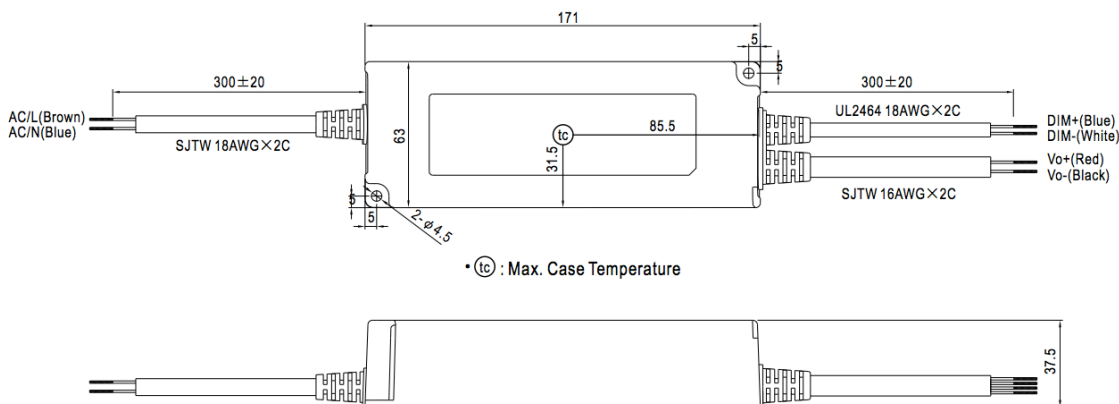
4- Bulb, Large Body, 1 Modules per foot

Mean Well

24V-90W Power Supply



- Constant Voltage PWM style output with frequency 300Hz
- Plastic housing with class II design
- Built in active PFC function
- Class 2 power unit (except PWM-90-12)
- No load power consumption <0.5W
- Fully encapsulated with IP67 level
- Function: 3 in 1 dimming
- Typical life time >50000 hrs
- 5 year warranty



SPECIFICATIONS

ELECTRICAL

| | |
|--------------------------|---|
| Input Voltage | 90-305 vAC |
| Input Current, Max (A) | 0.95A/120V 0.40A/277V |
| Input Frequency (Hz) | 50-60Hz |
| Efficiency | >90.5% |
| Output Voltage (V) | 24VDC +/- 10% |
| Output Current Range (A) | 3.75 Amps Max |
| Output Power Max (W) | 90 Watts |
| Protection | Over voltage, Over current, and Short circuit |
| EMI and RFI | Meets FCC Part 15 (Class A) |
| Load Regulation | +/-5% |
| Operating Temperature | -40°F ~ 185°F |
| Storage Temperature | -40°F ~ 176°F |

ENCLOSURE DIMENSIONS

| | |
|-----------------|----------------|
| Length | 6.73" (171mm) |
| Width | 2.48" (63mm) |
| Height | 1.48" (37.5mm) |
| Mounting Length | 6.33" (160mm) |
| Weight | 1.7 lbs |

LEAD LENGTHS

| | |
|---------------------------|---------------|
| Input Leads (Black White) | 11.76", 18AWG |
| Output Leads (Red, Black) | 11.76", 18AWG |